



JONESCO

IBC Hardcover
Spill containment




Manufacturing experts

Jonesco are the trusted brand for commercial vehicle parts, secondary spill containment, fire and safety and storage suppliers across the globe.

Our story began in 1967 on Adelaide Street near Preston city centre in the UK. It is safe to say we have grown a bit since then.

Doing things better is why Jonesco exists. It is why we deliver the products you need, whenever and wherever you need them. Working Smarter. Not harder. Our rotationally moulded products can be found worldwide and our uncompromising commitment to quality means they are made to last.

Jonesco's headquarters are in Preston, Lancashire, UK with a subsidiary in Seclin, France. Our chain of distribution covers over 60 countries and spans every continent. We're truly global but we've not lost our family touch.





JONESCO

IBC Hardcover

Outdoor IBC storage and spill containment made easy!

Introducing Jonesco's IBC hardcover, [a single nestable IBC spill pallet complete with a weathertight hardcover](#), all made from 100% recyclable polyethylene. The unit features vented double swing doors for easy access and a three-point locking mechanism for added security. The roof slopes to the back for quick dispersal of rainwater.

The carefully designed IBC platform has an integrated two litre drip tray, ideal for containing minor spills and drips when dispensing, and large apertures for visual inspection of the main 1200-litre bund below. That's not all, the IBC hardcover has ample headroom, making loading easy and allowing for the use of IBC mixers, pumps and funnels.



Door vents

Three-point locking mechanism

Nestable IBC spill pallet



Ample headroom

Swing doors

Two litre in-platform drip tray

Product highlights

- Clean, secure and weathertight storage
- Double swing doors with three-point locking mechanism
- Door vents for air circulation
- Two litre in-platform drip tray
- Made from 100% polyethylene
- Roof designed for quick rainwater run-off to the rear
- Ample headroom
- Spill pallet capacity: 1260 litres
- Spill pallet maximum load capacity: 2500 kg
- Easy to assemble, all fixing supplied



Assembly made easy

[Nine easy steps](#), that's all it takes to assemble the IBC hardcover.

To make things easier we've created [easy-to-follow assembly instructions](#); a quick overview can be seen on the following page. Scan the QR code for the complete instructions.

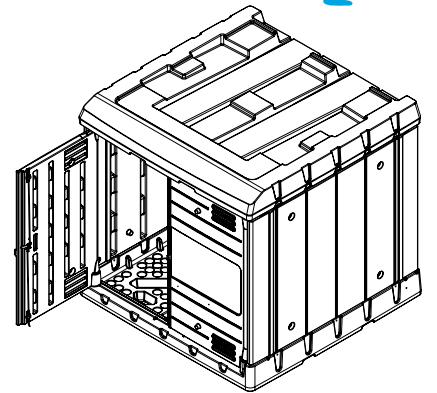
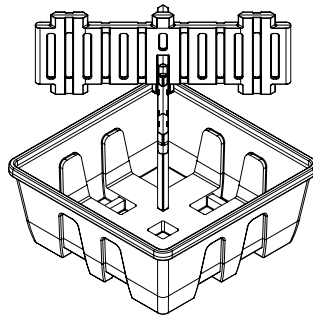
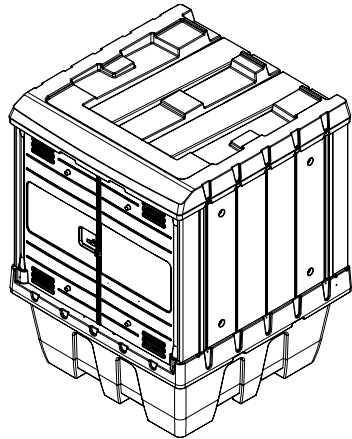
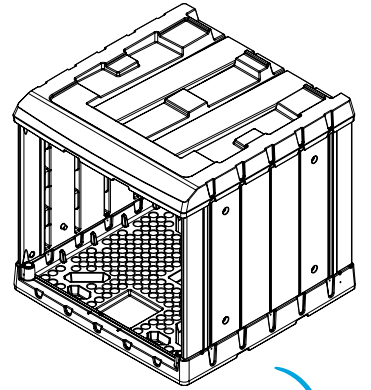
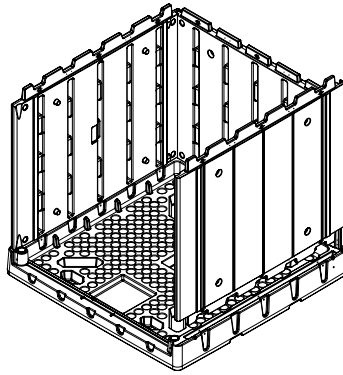
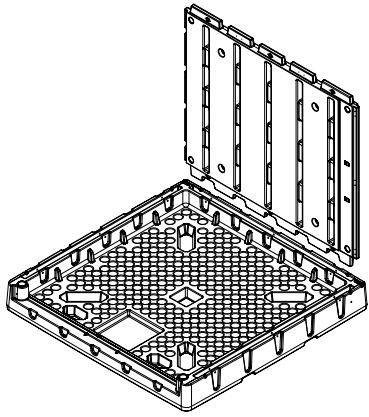
Written instructions not your thing? Worry not, we've got you covered with our [assembly instruction video](#). Just scan the QR code and follow along.



[PDF](#)



[Video](#)





JONESCO

+44 (0) 1772 706888

jonesco-plastics.com

sales@jonesco-plastics.com

